

3. FRAME/BODY PANELS/EXHAUST SYSTEM

SERVICE INFORMATION	3-2	LEFT CRANKCASE REAR COVER	3-7
TROUBLESHOOTING	3-2	FRONT FENDER	3-7
TRIM CLIP	3-3	REAR FENDER	3-8
MAIN STEP	3-4	REAR FENDER A	3-8
OVER HEAD COVER	3-5	IGNITION SWITCH CASE	3-10
SEAT	3-6	EXHAUST SYSTEM	3-10
SIDE COVER	3-6		

FRAME/BODY PANELS/EXHAUST SYSTEM

SERVICE INFORMATION

GENERAL

- This section covers removal and installation of the main step, body panels and exhaust system.
- When disassembling, mark and store the mounting fasteners to ensure that they are reinstalled in their original locations.
- Serious burns may result if the exhaust system is not allowed to cool before components are removed or serviced.
- Always replace the exhaust pipe gaskets with new ones after removing the exhaust pipe from the engine.
- When installing the exhaust system, loosely install all of the exhaust pipe fasteners. Always tighten the exhaust clamps first, then tighten the mounting fasteners.
- Always inspect the exhaust system for leaks after installation.
- The exhaust contains poisonous carbon monoxide gas that may cause loss of consciousness and may lead to death. Run the engine in an open area or with an exhaust evacuation system in an enclosed area.

TORQUE VALUES

Main step bracket bolt	27 N·m (2.8 kgf·m, 20 lbf·ft)	Apply engine oil to the threads.
Left crankcase rear cover socket bolt	10 N·m (1.0 kgf·m, 7 lbf·ft)	
Over head cover socket bolt	10 N·m (1.0 kgf·m, 7 lbf·ft)	
Rear seat mounting socket bolt	22 N·m (2.2 kgf·m, 16 lbf·ft)	
Exhaust pipe joint nut	23 N·m (2.3 kgf·m, 17 lbf·ft)	
Exhaust pipe band socket bolt	17 N·m (1.7 kgf·m, 13 lbf·ft)	
Exhaust pipe cover band screw	3.25 N·m (0.3 kgf·m, 2.4 lbf·ft)	
Exhaust pipe joint stud bolt	—	See page 3-18
Muffler stay mounting bolt	27 N·m (2.8 kgf·m, 20 lbf·ft)	
Muffler tail cover socket screw	9 N·m (0.9 kgf·m, 6.6 lbf·ft)	
Muffler cover socket bolt	10 N·m (1.0 kgf·m, 7 lbf·ft)	
Muffler front cover socket screw	9 N·m (0.9 kgf·m, 6.6 lbf·ft)	
Rear fender A stay socket bolt	11 N·m (1.1 kgf·m, 8 lbf·ft)	
Brake/tail light mounting bolt	5.2 N·m (0.5 kgf·m, 3.8 lbf·ft)	
License light mounting nut	4.5 N·m (0.5 kgf·m, 3.3 lbf·ft)	

TROUBLESHOOTING

Excessive exhaust noise

- Broken exhaust system
- Exhaust gas leak

Poor performance

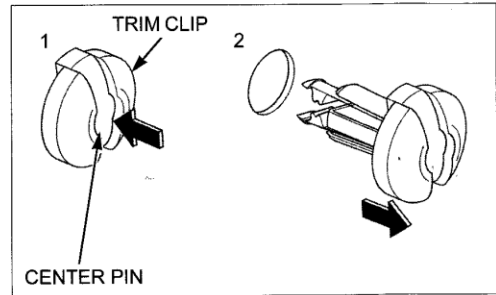
- Deformed exhaust system
- Exhaust gas leak
- Clogged muffler

TRIM CLIP

TRIM CLIP A

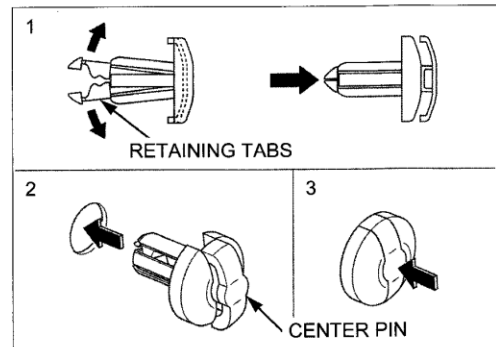
REMOVAL

1. Push the center pin of the trim clip.
2. Remove the trim clip.



INSTALLATION

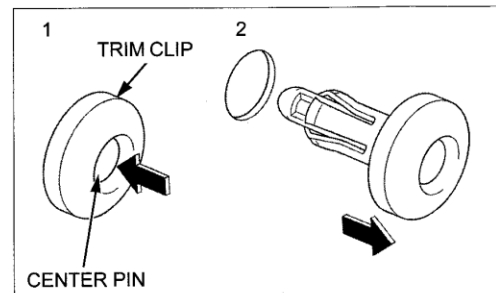
1. Raise the center pin by spreading apart the pin ends and then push the retaining tabs back.
2. Install the trim clip.
3. Push the center pin until the pin is flush with the outer casing.



TRIM CLIP B

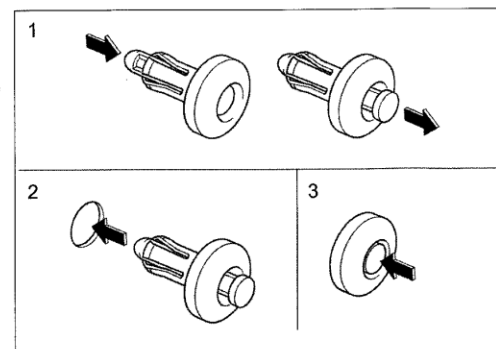
REMOVAL

1. Push the center pin of the trim clip.
2. Remove the trim clip.



INSTALLATION

1. Raise the center pin by pushing the pin tip back.
2. Install the trim clip.
3. Push the center pin until the pin is flush with the outer casing.



MAIN STEP

REMOVAL/INSTALLATION

LEFT

Remove the horn (page 22-26).

Remove the following:

- Gearshift arm pinch bolt
- Gearshift arm
- Main step bracket bolts
- Left main step assembly
- Collars
- Horn stay

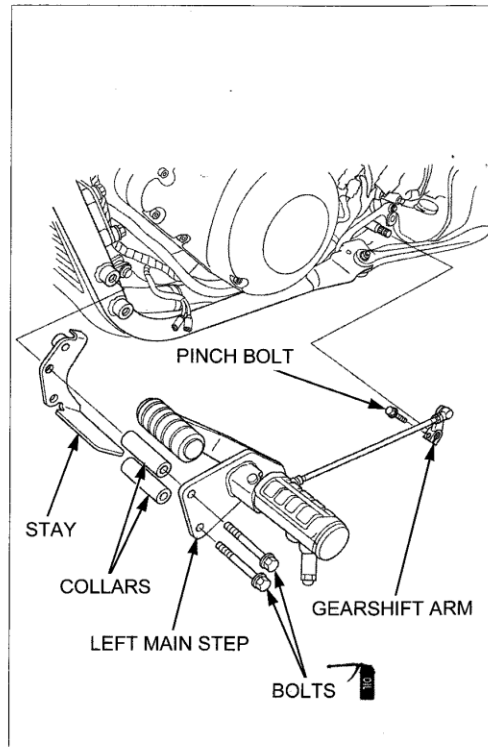
Installation is in the reverse order of removal.

NOTE:

- When installing the main step bracket bolt, apply engine oil to the threads.
- Align the slit of the gearshift arm with the punch mark on the gearshift spindle.

TORQUE:

Main step bracket bolt:
27 N·m (2.8 kgf·m, 20 lbf·ft)



RIGHT

Remove the following:

- Main step bracket bolts
- Right main step
- Collars

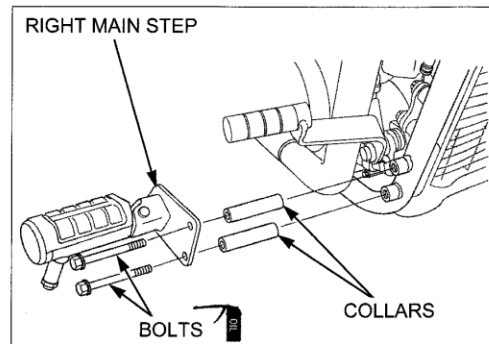
Installation is in the reverse order of removal.

NOTE:

- When installing the main step bracket bolt, apply engine oil to the threads.

TORQUE:

Main step bracket bolt:
27 N·m (2.8 kgf·m, 20 lbf·ft)



OVER HEAD COVER

REMOVAL/INSTALLATION

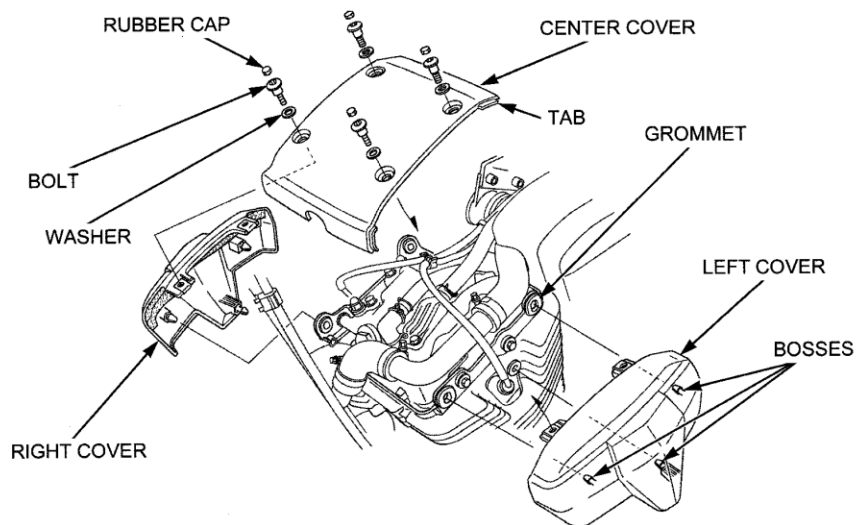
FRONT

Be careful not to damage the over head cover tabs. Remove the rubber caps, socket bolts, washers and front center over head cover.

Be careful not to damage the over head cover bosses. Remove the front left/right over head covers by releasing its bosses from the grommets. Installation is in the reverse order of removal.

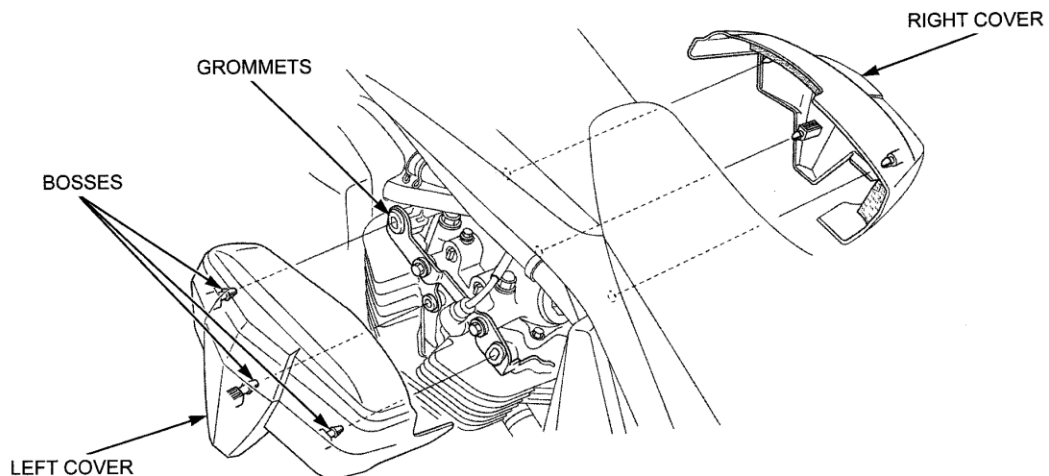
TORQUE:

Over head cover socket bolt:
10 N·m (1.0 kgf·m, 7 lbf·ft)



REAR

Be careful not to damage the over head cover bosses. Remove the rear left/right over head covers by releasing its bosses from the grommets. Installation is in the reverse order of removal.



SEAT

REMOVAL/INSTALLATION

NOTE:

- Be careful not to scratch the rear fender during seat installation or removal.

Remove the rear seat mounting socket bolts, screw, collar and rear seat.

Remove the front seat mounting socket bolts and front seat by moving it rearward.

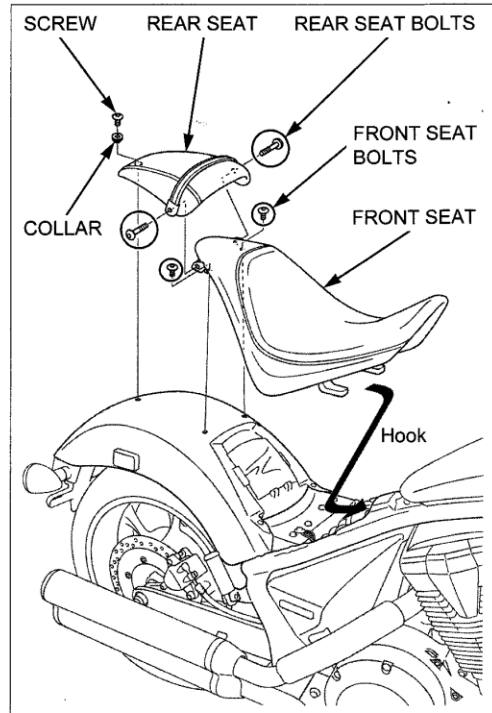
Installation is in the reverse order of removal.

TORQUE:

Rear seat mounting socket bolt:
22 N·m (2.2 kgf·m, 16 lbf·ft)

NOTE:

- When installing the front seat, align the seat hooks with the raised lip of the frame properly.
- Be careful not to get the seat caught between the stay and bolts while installing the seat.



SIDE COVER

REMOVAL/INSTALLATION

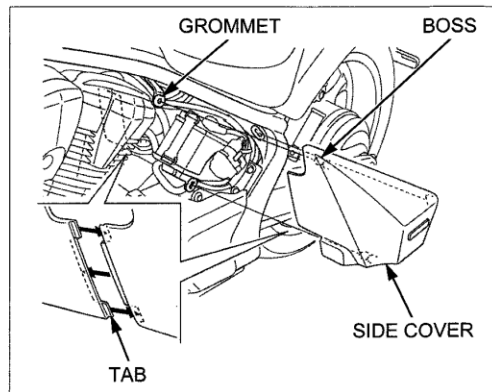
Be careful not to damage the side cover bosses.

Remove the side cover by releasing its bosses from the grommets.

Installation is in the reverse order of removal.

NOTE:

- When installing the side covers, align the tabs.



LEFT CRANKCASE REAR COVER

REMOVAL/INSTALLATION

Remove the socket bolt.

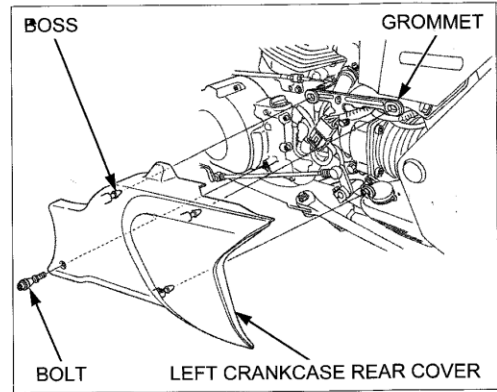
Be careful not to damage the left crankcase rear cover bosses.

Remove the left crankcase rear cover by releasing its bosses from the grommets.

Installation is in the reverse order of removal.

TORQUE:

Left crankcase rear cover socket bolt:
10 N·m (1.0 kgf·m, 7 lbf·ft)



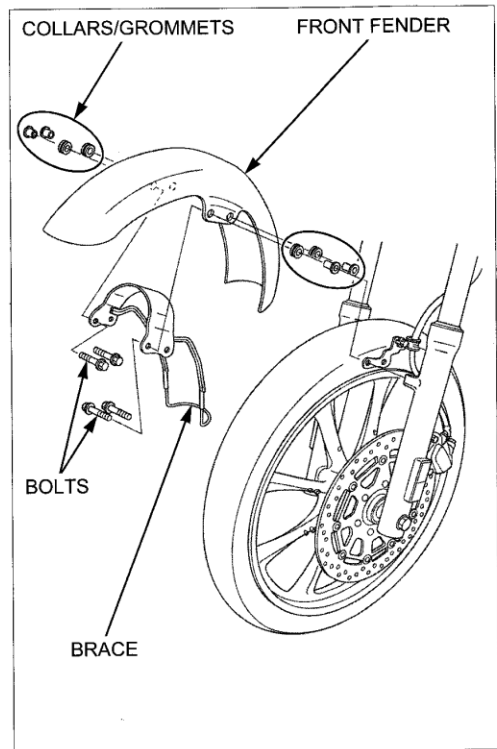
FRONT FENDER

REMOVAL/INSTALLATION

Remove the bolts and front fender.

Remove the fender brace, collars and grommets from the front fender.

Installation is in the reverse order of removal.



REAR FENDER

REMOVAL/INSTALLATION

Remove the seat (page 3-6).

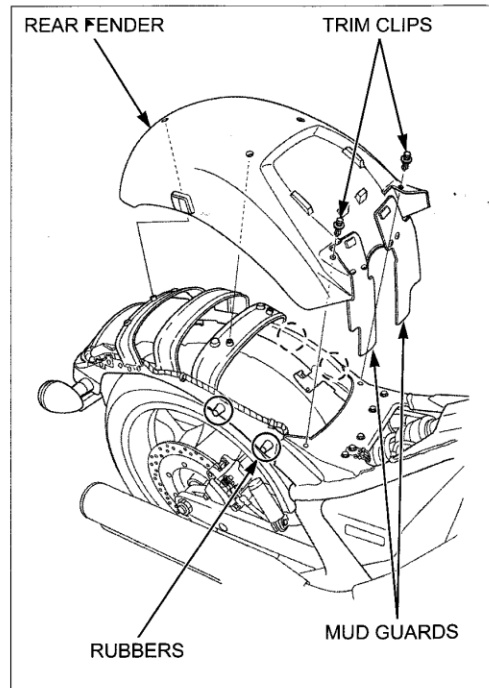
Remove the trim clips and rear fender.

For trim clip information (page 3-3).

Installation is in the reverse order of removal.

NOTE:

- When installing the rear fender, insert the mud guards between the engine and swingarm.
- Be careful not to tilt the stopper rubbers when installing the rear fender.



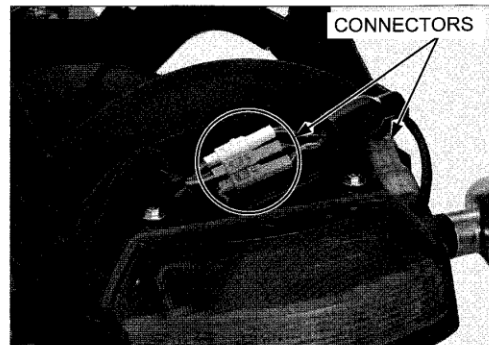
REAR FENDER A

REMOVAL/INSTALLATION

Remove the rear fender (page 3-8).

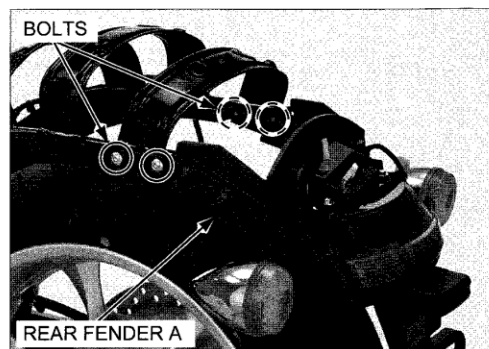
Disconnect the following:

- Brake/tail light 3P (Natural) connector
- License light 2P (White) connector
- Rear left turn signal light 2P (Orange) connector
- Rear right turn signal light 2P (Light blue) connector



Remove the rear fender A mounting socket bolts and rear fender A.

Installation is in the reverse order of removal.



DISASSEMBLY/ASSEMBLY

Remove the following:

- Rear turn signal light (page 22-9)
- Brake/tail light (page 22-9)
- License light (page 22-10)

Remove the rear fender trim, socket bolts and rear fender A stay.

Remove the nut and reflector.

Assemble the rear fender A in the reverse order of disassembly.

TORQUE:

Rear fender A stay socket bolt:

11 N·m (1.1 kgf·m, 8 lbf·ft)

Brake/tail light mounting bolt:

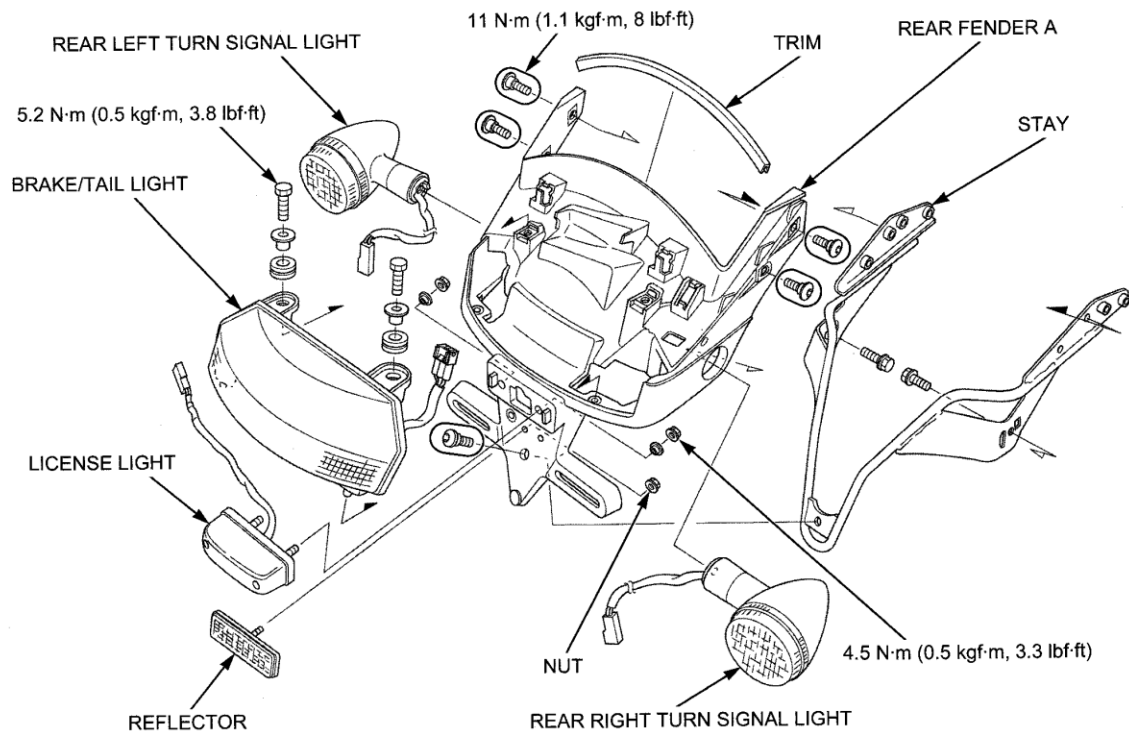
5.2 N·m (0.5 kgf·m, 3.8 lbf·ft)

License light mounting nut:

4.5 N·m (0.5 kgf·m, 3.3 lbf·ft)

NOTE:

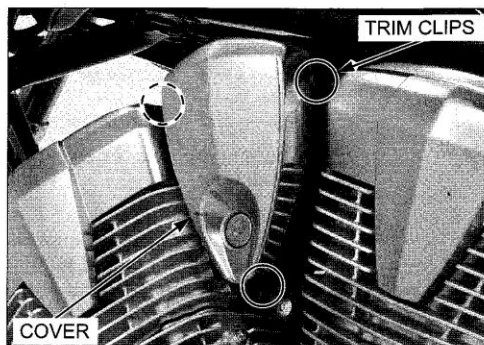
- Route the wires properly (page 1-22).



IGNITION SWITCH CASE

REMOVAL/INSTALLATION

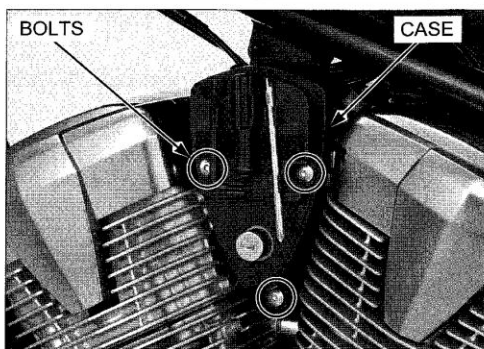
Remove the trim clips and ignition switch case cover.



Remove the socket bolts and ignition switch case.

Installation is in the reverse order of removal.

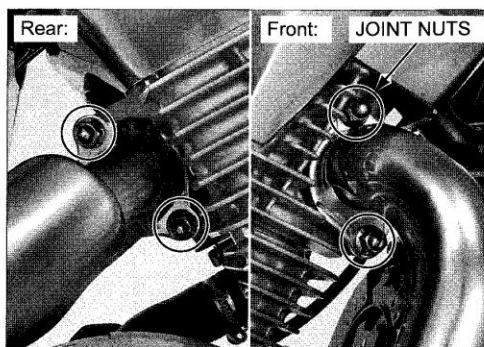
For trim clip information (page 3-3).



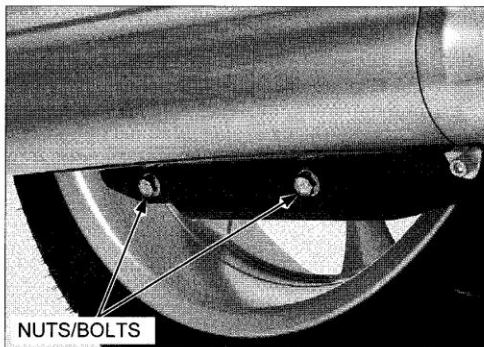
EXHAUST SYSTEM

REMOVAL

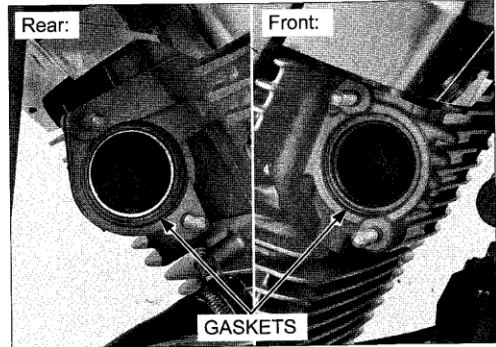
Remove the exhaust pipe joint nuts.



Remove the nuts, bolts and muffler assembly.



Remove the exhaust pipe gaskets.

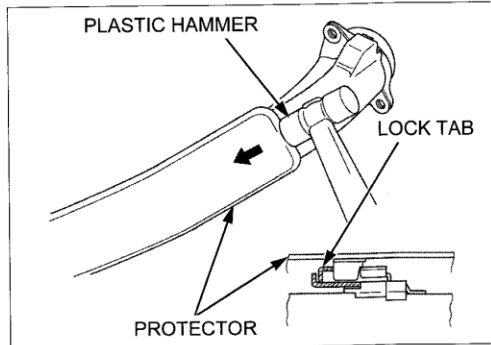


DISASSEMBLY

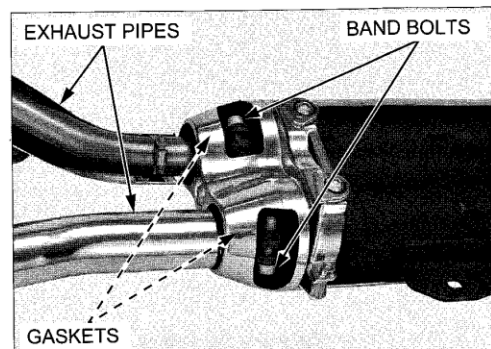
Rear exhaust pipe only: Drive the rear exhaust pipe protector using a plastic hammer and break the lock tab (reverse side of the protector) and remove it.

NOTE:

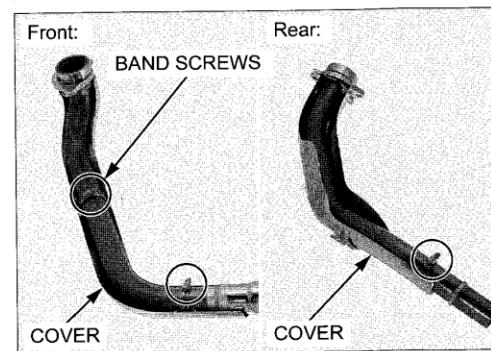
- Do not reuse the removed protector.



Loosen the exhaust pipe band socket bolts.
Remove the exhaust pipes and gaskets.



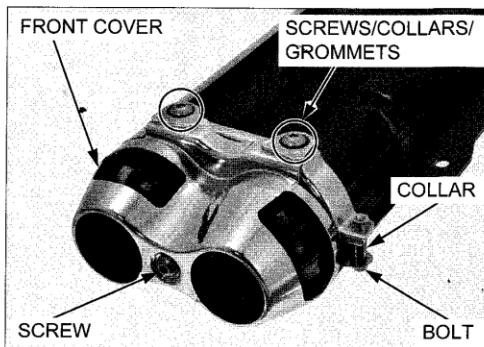
Remove the exhaust pipe cover band screws and exhaust pipe covers.



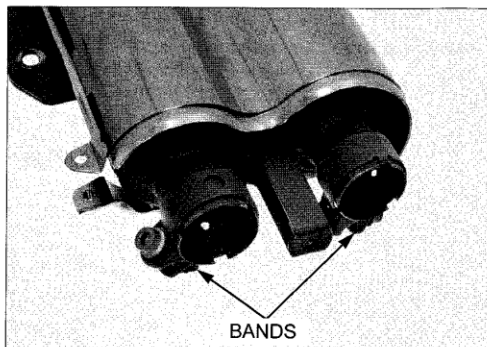
FRAME/BODY PANELS/EXHAUST SYSTEM

Remove the following:

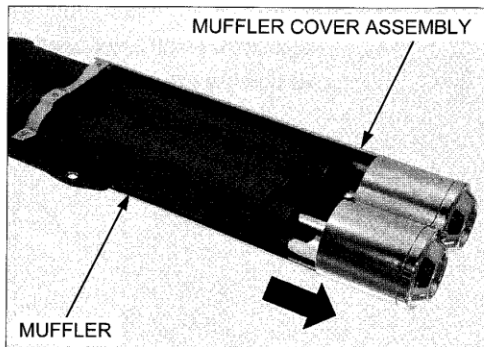
- Socket screws
- Muffler front cover
- Collars
- Grommets
- Socket bolt
- Collar



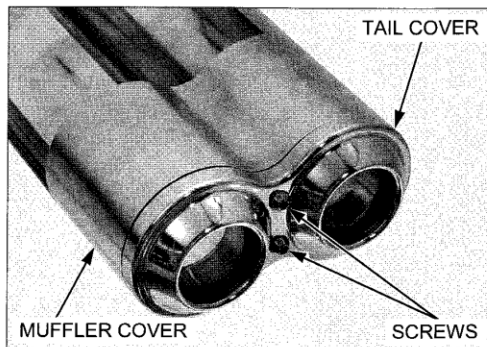
Remove the exhaust pipe bands.



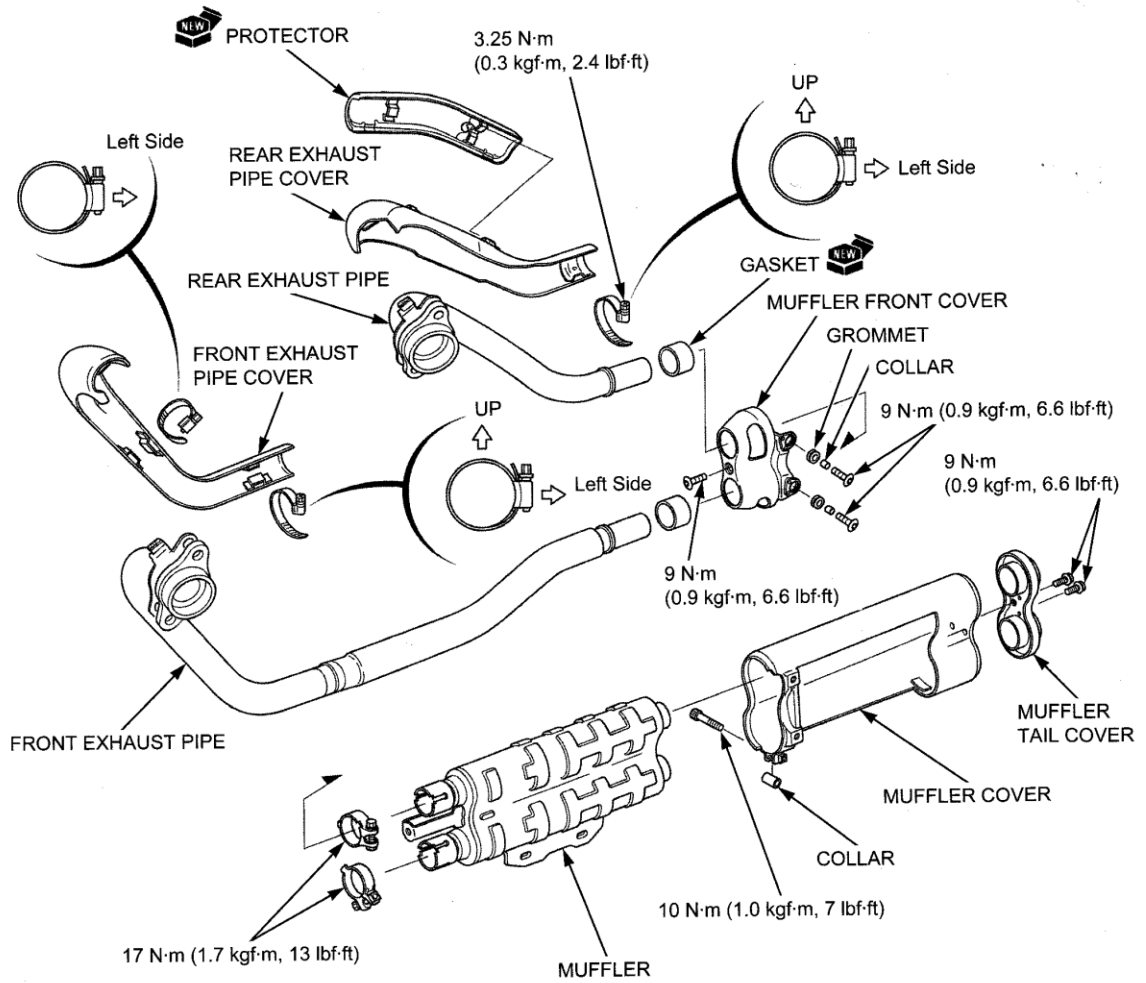
Remove the muffler cover assembly from the muffler.



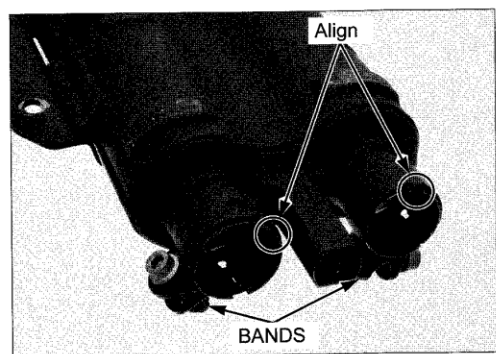
Remove the socket screws and muffler tail cover from the muffler cover.



ASSEMBLY



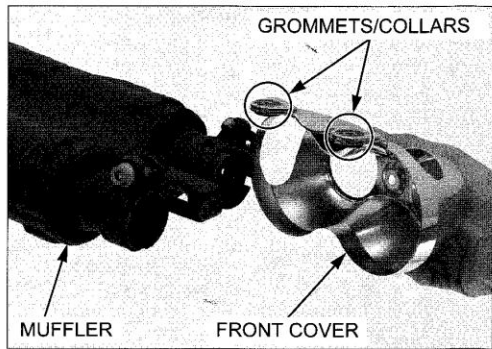
Install the exhaust pipe bands while aligning their tabs with muffler slits as shown.



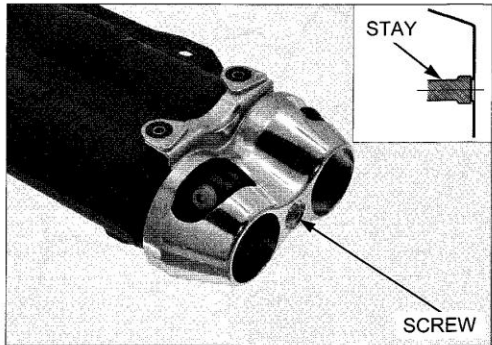
FRAME/BODY PANELS/EXHAUST SYSTEM

Install the grommets and collars to the muffler front cover.

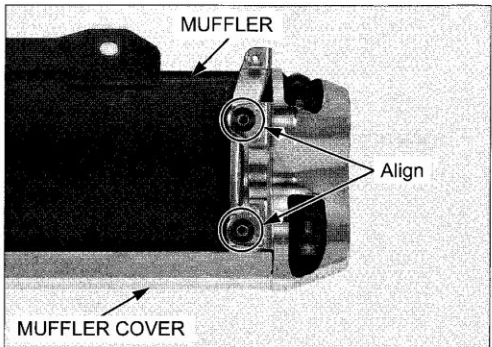
Install the muffler front cover.



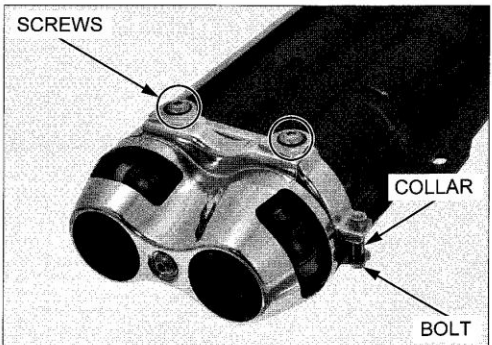
Temporarily install the muffler front cover socket screw until the front cover fully seated to the stay of the muffler.



Install the muffler cover assembly to the muffler by aligning its bolt holes with the muffler front cover.



Temporarily install the collar, muffler cover socket bolt and muffler front cover socket screws.

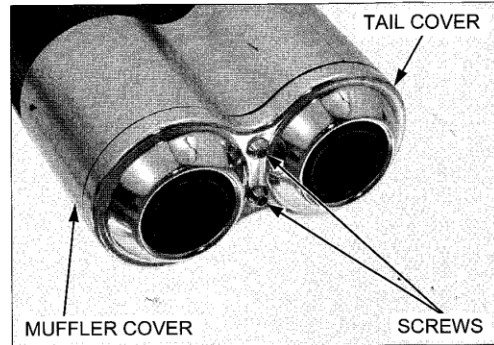


FRAME/BODY PANELS/EXHAUST SYSTEM

Install the muffler tail cover to the muffler cover.

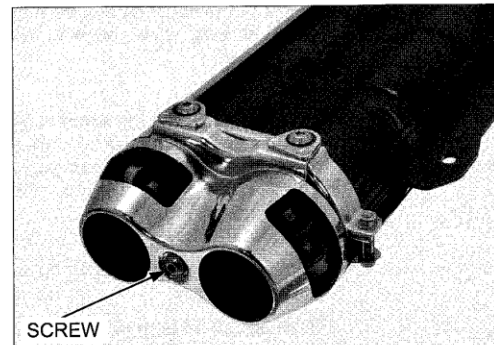
Install and tighten the muffler tail cover socket screws to the specified torque.

TORQUE: 9 N·m (0.9 kgf·m, 6.6 lbf·ft)



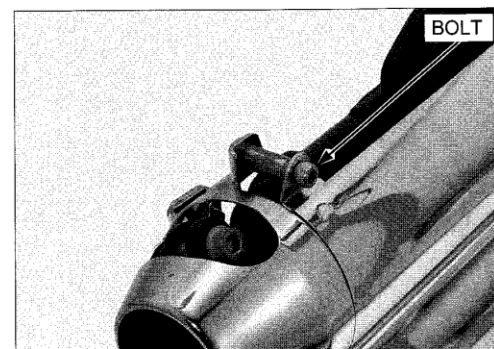
Tighten the muffler front cover socket screw to the specified torque.

TORQUE: 9 N·m (0.9 kgf·m, 6.6 lbf·ft)



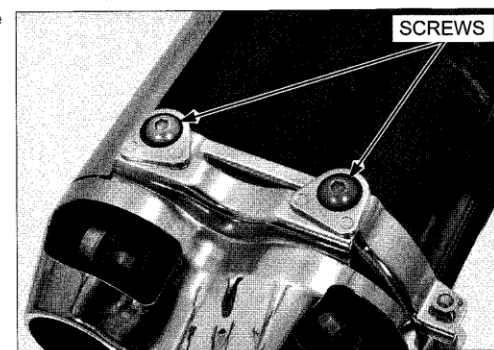
Tighten the muffler cover socket bolt to the specified torque.

TORQUE: 10 N·m (1.0 kgf·m, 7 lbf·ft)



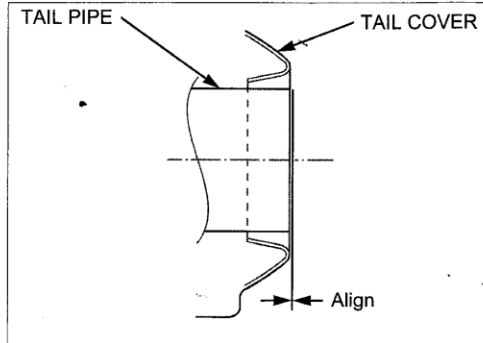
Tighten the muffler front cover socket screws to the specified torque.

TORQUE: 9 N·m (0.9 kgf·m, 6.6 lbf·ft)



FRAME/BODY PANELS/EXHAUST SYSTEM

Make sure the muffler tail cover top surfaces are aligned with the tail pipe ends.



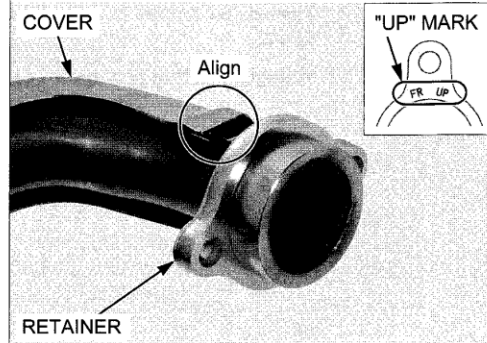
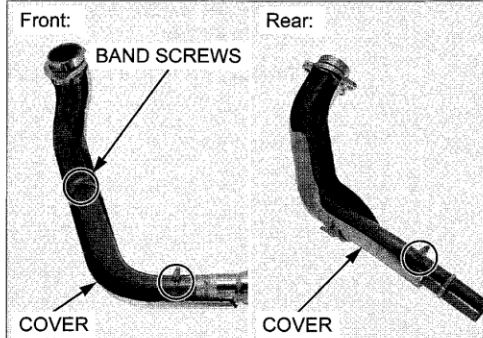
Install the exhaust pipe covers and exhaust pipe cover band screws while aligning the cover groove and retainer tab.

NOTE:

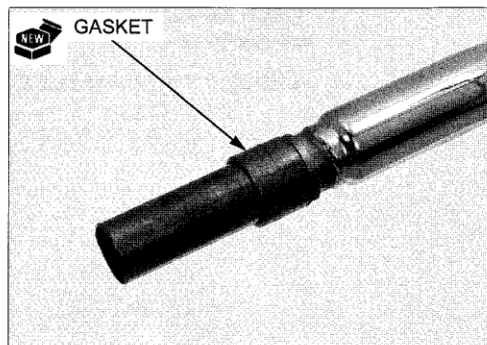
- When installing the exhaust pipe cover band screws, be careful about the direction (page 3-13).
- When aligning the cover groove and retainer tab, be careful about the direction of the retainer.
 - Front: "FR UP"
 - Rear: "RR UP"

Tighten the exhaust pipe cover band screw to the specified torque.

TORQUE: 3.25 N·m (0.3 kgf·m, 2.4 lbf·ft)



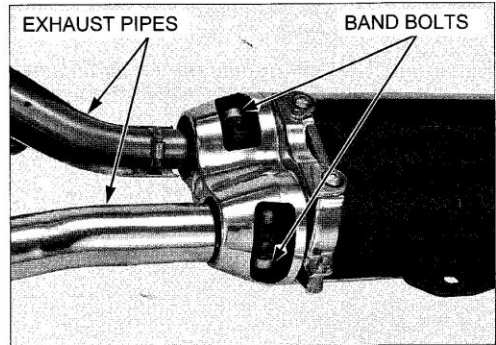
Install new gaskets to the exhaust pipes.



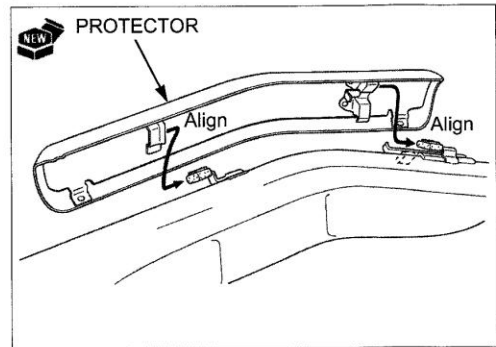
Install the exhaust pipes until they are fully seated.
Loosely tighten the exhaust pipe band socket bolts.

NOTE:

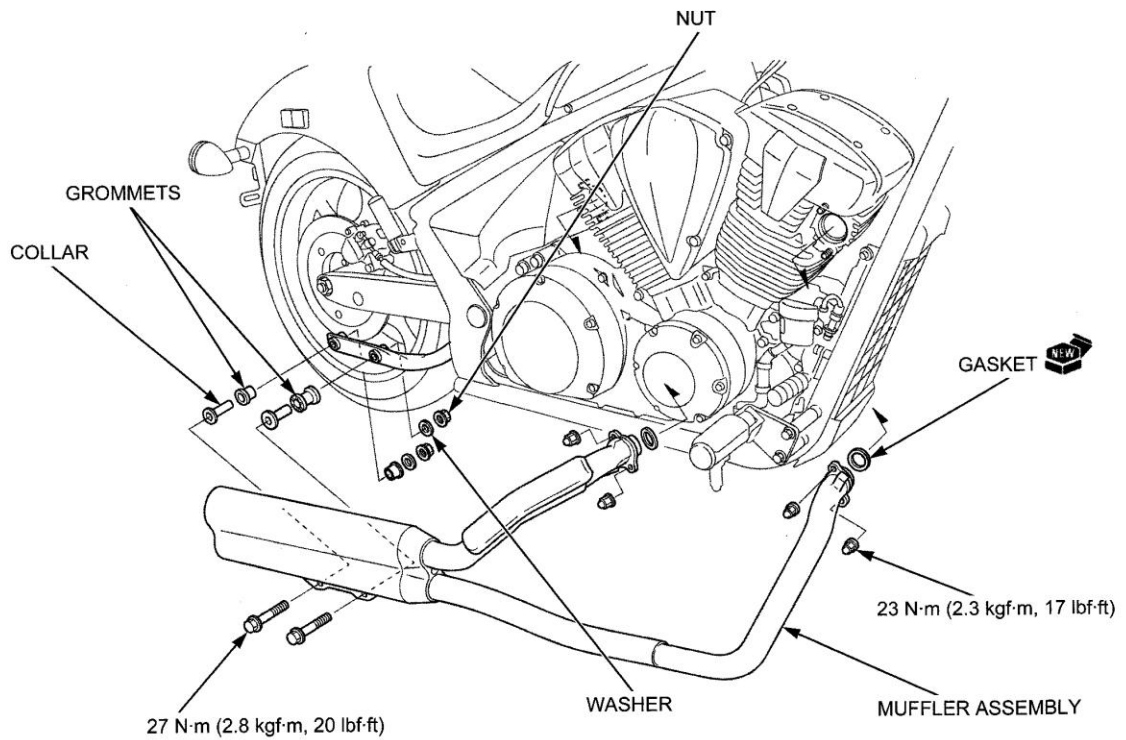
- Tighten the exhaust pipe band socket bolt to the specified torque after installing the exhaust system.



Rear exhaust pipe only: Install a new rear exhaust pipe protector securely.



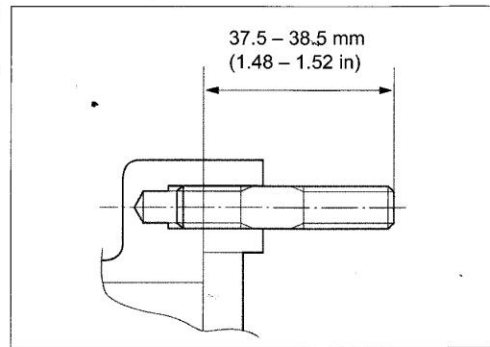
INSTALLATION



FRAME/BODY PANELS/EXHAUST SYSTEM

If the exhaust pipe joint stud bolts are loose, tighten them.

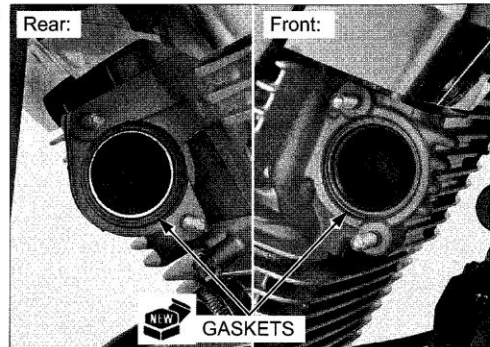
Be sure to verify the distance from the top of the stud to the cylinder head as shown.



Install new exhaust pipe gaskets to each exhaust port of the cylinder head.

NOTE:

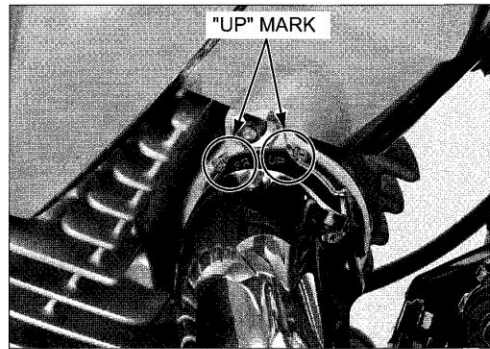
- Always replace the exhaust pipe gasket with a new one whenever the muffler assembly is removed.



Install the muffler assembly.

NOTE:

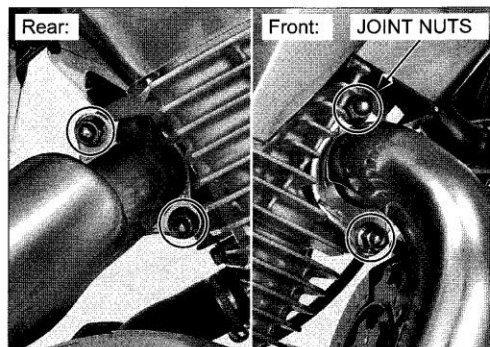
- When installing the muffler assembly, align the "UP" marks on the flange.
 - Front: "FR UP"
 - Rear: "RR UP"



Loosely install the all fasteners.

Tighten the exhaust pipe joint nuts to the specified torque.

TORQUE: 23 N·m (2.3 kgf·m, 17 lbf·ft)



Tighten the muffler stay mounting bolts to the specified torque while holding the nuts.

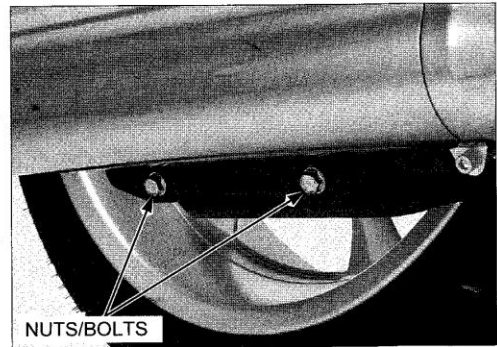
TORQUE: 27 N·m (2.8 kgf·m, 20 lbf·ft)

When disassembling the exhaust system, tighten the exhaust pipe band socket bolt to the specified torque.

TORQUE: 17 N·m (1.7 kgf·m, 13 lbf·ft)

NOTE:

- Always inspect the exhaust system for leaks after installation.



MEMO

(

(

(

(

(

(

(